

TA10 Air Winches

Load Capacity up to 37,000 lbs



Shown with manual band brake for positive load control and secure load handling.

The addition of the TA10 to the TA Series from Thern gives users more options than ever before. Featuring new design elements, including frame design, rotary cable anchor, and lifting eyes, the TA10 adds flexibility and ease of use while retaining all of the rugged features found on our TA Series winches.

Features and Benefits

High Capacity Radial Piston Motor

Internally lubricated for reliable power and long service life providing high capacity with faster line speeds.

Rotary Cable Anchor

Innovative cable anchor design is self adjusting for various cable sizes. Anchor is corrosion resistant for operation in harsh environments.

Precise Control Valve

Count on smooth control with variable speed, for precision spotting or long lifts.

Welded Steel Frame

Captures both drum ends for strength and security. Frame includes convenient lifting eyes for easy handling.



Winch handling made simple with lifting eyes on frame.

Manual Band Brake

Heavy-duty handle allows for manual brake operation and provides 150% load holding capacity. Brake can be modified to operate from either side.

Meets ASME 30.7 Requirements

Standard units designed and built to meet this specification.



Rotary cable anchor makes installing wire rope easy from either direction.

Easy Access Drain and Fill Plug

New configuration provides easier access for maintenance; drain and fill plugs now located outside of drum, eliminating need to remove wire rope for maintenance.

2-Year Warranty

Leading the industry with our *Move It With Confidence* Two-Year Limited Warranty.

Planetary Gears

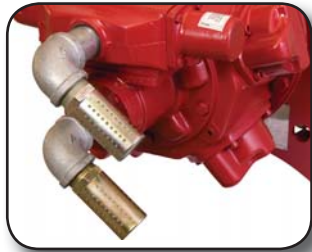
Compact design and high efficiency gearing reduce power loss and heat generation while increasing service life. Gears operate in oil bath. Double lip oil seals keep oil in and contaminants out.

Unmatched Versatility, Customized For Your Job.



Every job is different, so we allow you to order Thern BIG RED TA10 air winches to suit your specific needs with a vast array of options and accessories. From automatic brake options to a pendant control, we'll work with you every step of the way to make sure you get exactly what you require.

Shown with automatic band brake.



Run a quieter winch with a muffler kit.



Protect motor from contaminants with a Filter-Lubricator-Regulator.



Convenience of pendant controls allows operators to stand away from the winch.

Options and Accessories

Automatic Disc Brake

Spring engaged, air pressure released and oil cooled for extended duty cycles and long life.

Automatic Band Brake

Spring engaged, air pressure released, with heavy-duty construction that provides up to 150% holding capacity (replaces manual band brake).

Mufflers

Attached to exhaust ports to reduce noise.

Control Options

Winch mounted, full flow remote pendant control valve.

Marine Grade Epoxy

Applied with a zinc primer for ultimate protection in harsh environments.

ABS Survey Available

Please contact factory.

Drum Guard

Heavy-duty steel mesh helps to protect operators. Adjusts for different rope payout angles.

Filter, Lubricator and Regulator

Maintains air quality to the winch. Required for warranty compliance.

Multiple Drum Compartments

Allow for multiple line connections and operation.

BigRed

THERN

www.thern.com

1.800.843.7648



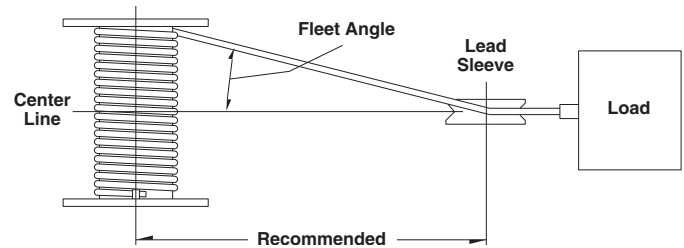
TA10 Series Performance Characteristics

	TA10 Series	
Load Rating 1st Layer	37,000 lb	16,783 kg
Load Rating Mid-Drum	27,400 lb	12,428 kg
Load Rating Full Drum	21,800 lb	9,888 kg
Line Speed 1st Layer *	20 fpm	6.1 m/min
Line Speed Mid-Drum *	27 fpm	8.2 m/min
Line Speed Full Drum *	34 fpm	10.4 m/min
Input HP	27 hp	27 hp
Max. Stall Pull 1st Layer	47,000 lb**	21,320 kg
Pressure	90 psi	6.3 kgf/cm ²
Flow	900 scfm	25 m ³ /min
Pipe Inlet Size	1.5 in	38.1 mm
Hose Size	1.5 in	38.1 mm
Minimum Design Temp	(-4°)F	(-20°)C

* Line speeds vary based on conditions of air supply. ** Estimated value.

TA10 Series Fleet Angle Requirements

Series	Drum Diameter		Flange Diameter		Drum Width		Fleet Angle Dist.	
	(in)	(mm)	(in)	(mm)	(in)	(mm)	(ft)	(m)
TA10-30	20.00	508	38.00	965	30.00	762	48	15
TA10-40	20.00	508	38.00	965	40.00	1016	64	20
TA10-60	20.00	508	38.00	965	60.00	1524	95	29



TA10 Series Air Winch Drum Capacities*

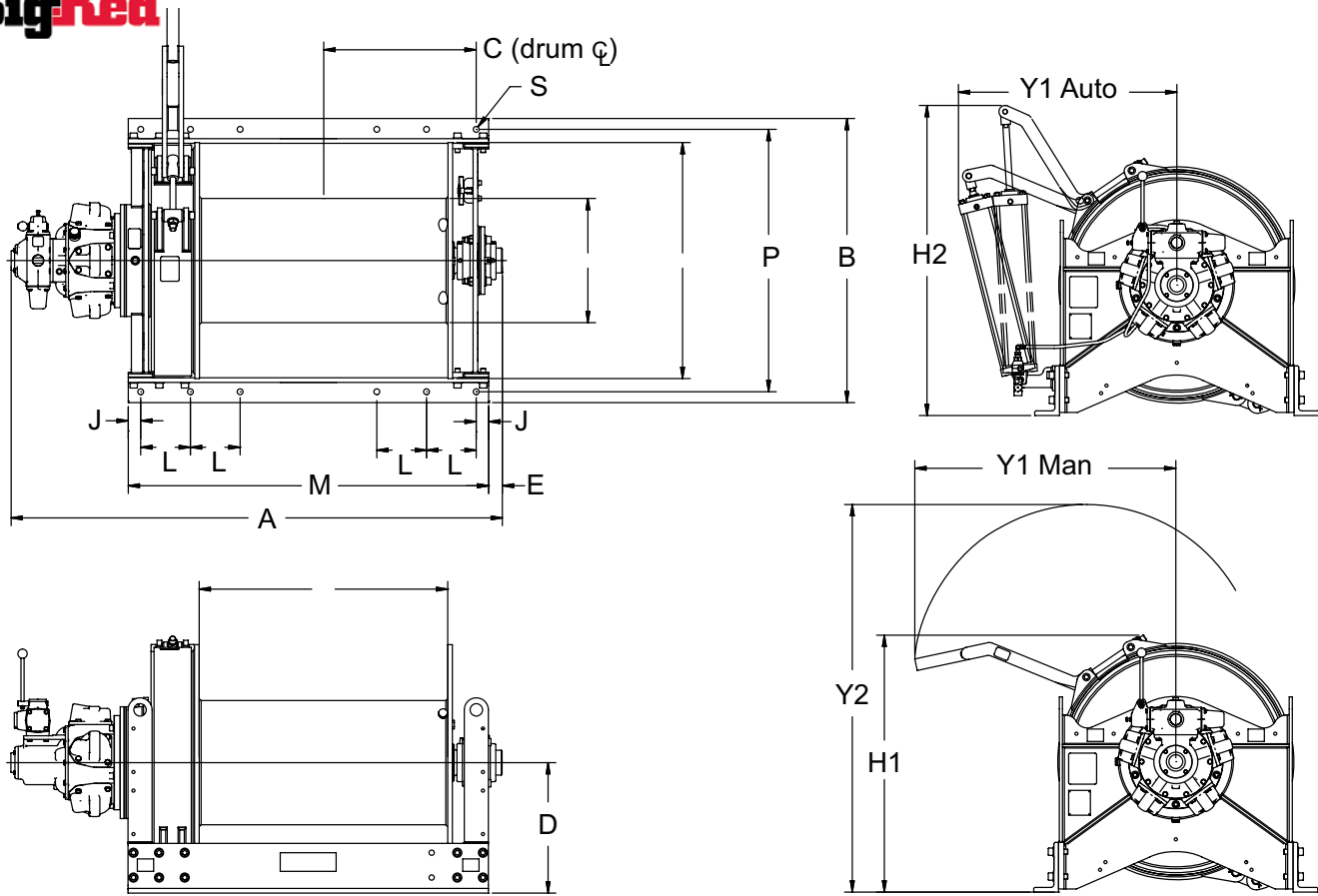
	Drum Width		30 in (762 mm)			40 in (1016 mm)			60 in (1524 mm)		
	Rope Diameter	Breaking Strength**	1st Layer	Mid Drum	Full Drum	1st Layer	Mid Drum	Full Drum	1st Layer	Mid Drum	Full Drum
TA10 Series	(in) (mm) 1 1/8 28.7	(lb) (kg) 130,000 58,968	(ft) (m) 120 36	(ft) (m) 620 115	(ft) (m) 1,390 259	(ft) (m) 160 48	(ft) (m) 830 252	(ft) (m) 1,850 563	(ft) (m) 260 79	(ft) (m) 1,250 381	(ft) (m) 2,780 847

* Drum capacity is based on 0.5 inch flange clearance at top layer per ASME B30.7. ** Values based on 6x37 IWRC EIPS wire rope.

IMPORTANT:

It is the owner or operator's responsibility to determine the suitability of the equipment to its intended use. Study all applicable codes, manuals and regulations. Be sure to read the Owner's Manual supplied with the equipment before operating it.

Thern TA Series Utility Rated Air Winches are for lifting and moving materials only.



BIG RED TA10 Series Air Winch Dimensions

	A		B		C		D		E		H1		H2		J		L	
Series	(in)	(mm)	(in)	(mm)	(in)	(mm)	(in)	(mm)	(in)	(mm)	(in)	(mm)	(in)	(mm)	(in)	(mm)	(in)	(mm)
TA10-30	69.00	1753	45.75	1162	19.50	495	21.00	533	2.25	57	41.50	1054	50.00	1270	2.00	51	8.00	203
TA10-40	79.00	2007	45.75	1162	24.50	622	21.00	533	2.25	57	41.50	1054	50.00	1270	2.00	51	8.00	203
TA10-60	99.00	2515	45.75	1162	34.50	876	21.00	533	2.25	57	41.50	1054	50.00	1270	2.00	51	8.00	203

	M		P		S (hole diameter)		Y1 (Man)		Y1 (Auto)		Y2		# Bolts	Bolt Size
Series	(in)	(mm)	(in)	(mm)	(in)	(mm)	(in)	(mm)	(in)	(mm)	(in)	(mm)	-	-
TA10-30	48.00	1219	42.25	1073	.94	24	42	1067	35.25	895	62.50	1588	12	15 / 16 in - G8
TA10-40	58.00	1473	42.25	1073	.94	24	42	1067	35.25	895	62.50	1588	12	15 / 16 in - G8
TA10-60	78.00	1981	42.25	1073	.94	24	42	1067	35.25	895	62.50	1588	12	15 / 16 in - G8

Thern TA Series Utility Rated Air Winches are for lifting and moving materials only.