

RACKING BOARD WINCH



TRB-EL-2000 Shown (from back)

For pulling and positioning pipe segments on drilling rigs, Thern's Racking Board Winch delivers superior performance. Steady, reliable operation means crews can place pipe quickly and securely without hassle or delay.

2000 lb Capacity Racking Board Winch

STANDARD FEATURES

- Machine Cut Gears
- Enclosed Oil Bath
- Internal Mechanical Brake
- Cast Aluminum Construction
- Cable Pressure Bar for Uniform Winding
- Large Diameter Drums Extend Rope Life
- Controls
 - Electric (EL) 16' Pendant, - Pneumatic (PN) 20' Pendant
 - Hydraulic (HY) Control valve and 6' hose pack
- 2-Year Limited Warranty

OPTIONS & ACCESSORIES

- Electric, Hydraulic or Pneumatic Motors (TRB-EL-2000), (TRB-HY-2000) (TRB-PN-2000)
- Pre-wound Galvanized Wire Rope
- Custom Rope Lengths*
- Voltage or Phase Motor Options*
- Custom Controls*
- E-Stop*
- Durable Epoxy Finish*
- Custom Finish Colors*
- Wall or Ceiling Mounting Options*

*Please contact factory for more information and lead times



WINCHES AND CRANES

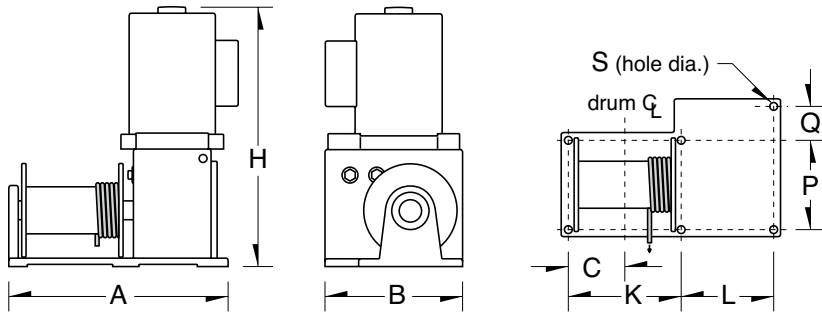
HAND / POWER / HYDRAULIC / AIR WINCHES • DAVIT CRANES

Winona, MN USA | www.thern.com

ISO
9001:2008
REGISTERED



PERFORMANCE



Install wire rope correctly as shown, or brake will not operate properly.

IMPORTANT:

It is the owner or operator's responsibility to determine the suitability of the equipment to its intended use. Study all applicable codes, manuals and regulations. Be sure to read the Owner's Manual supplied with the equipment before operating it.

Winch Dimensions

	A		B		C		H		K		L		P		Q		S (hole dia.)		Ship Wt.	
	(in)	(mm)	(in)	(mm)	(in)	(mm)	(in)	(mm)	(in)	(mm)	(in)	(mm)	(in)	(mm)	(in)	(mm)	(in)	(mm)	(lb)	(kg)
Electric	14.50	369	9.00	229	3.55	91	17.50	445	6.75	172	6.31	161	5.70	145	2.16	55	11/32	9	88	40
Pneumatic	14.50	369	9.00	229	3.55	91	15.00	381	6.75	172	6.31	161	5.70	145	2.16	55	11/32	9	70	32
Hydraulic	14.50	369	9.00	229	3.55	91	12.00	305	6.75	172	6.31	161	5.70	145	2.16	55	11/32	9	72	33

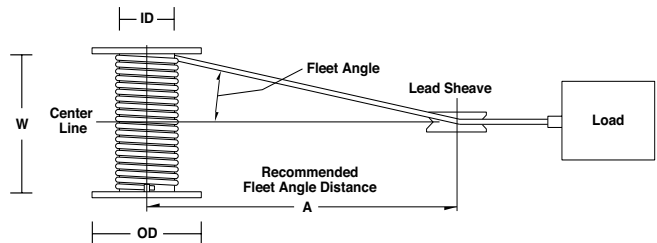
Dimensions are for reference only and subject to change without notice.

Drum Dimensions

	Drum Diameter (ID)		Flange Diameter (OD)		Drum Width (W)		Fleet Angle Distance (A) ¹	
	(in)	(mm)	(in)	(mm)	(in)	(mm)	(ft)	(m)
Electric	3.00	77	6.00	153	6.00	153	10	3,0
Pneumatic	3.00	77	6.00	153	6.00	153	10	3,0
Hydraulic	3.00	77	6.00	153	6.00	153	10	3,0

Dimensions are for reference only and subject to change without notice.

¹ Recommended minimum distance between drum and lead sheave for smooth drum.



Performance Characteristics

Model	Motor HP	Load Rating						Wire Rope Diameter		Line Speed				Drum Capacity ²					
		1st Layer		Mid Drum		Full Drum		(in)	(mm)	1st Layer		Full Drum		1st Layer		Mid Drum		Full Drum	
		(lb)	(kg)	(lb)	(kg)	(lb)	(kg)			(fpm)	(mpm)	(fpm)	(mpm)	(ft)	(m)	(ft)	(m)	(ft)	(m)
TRB-EL-2000 Electric ³	1.2	2,000	908	1,500	681	1,200	545	5/16	7,94	13	4,0	22	6,7	13	4,0	40	12,2	90	27,4
TRB-PN-2000 Pneumatic ^{4,5}	1.2	2,000	908	1,500	681	1,200	545	5/16	7,94	13	4,0	22	6,7	13	4,0	40	12,2	90	27,4
TRB-HY-2000 Hydraulic ^{4,5}	2.3	2,000	908	1,500	681	1,200	545	5/16	7,94	13	4,0	22	6,7	13	4,0	40	12,2	90	27,4

Please contact factory or nearest Thern Distributor for firm fixed price and delivery.

² Actual drum capacities may be 25-30% less, due to nonuniform winding. Tension in wire rope will also affect drum capacity.

³ Motor is 115/1/60 VAC and includes a 16 ft power cord with grounded plug, and a push button pendant control on 16ft cord.

⁴ For pneumatic and hydraulic models, line speed is based on rated load, actual line speed varies with load weight and power supply.

⁵ For pneumatic models, ratings are for 80 cfm at 100 psi. For hydraulic models, ratings are for 4 gpm at 1000 psi.

World-Wide Distribution



Thern, Incorporated

Corporate Headquarters & Manufacturing
5712 Industrial Park Road, Winona, MN USA
TF: 1-800-843-7648 P: 1-507-454-2996
www.thern.com



Thern Europe

Windmolen 22 7609 NN Almelo
Netherlands
P: +31-548-659-052
europe@therneurope.eu