

## Series 4WP2D High Speed Worm Gear Power Winches

Up to 1500 lb capacity

- **Direct Drive Design** delivers high speed operation in both directions, even under full load.
- **Machine Cut Bronze Worm Gears** provide accurate operation and long lasting service.
- **Enclosed Oil Bath** provides continuous lubrication of gears to minimize wear. Oil seals keep oil in and dirt out.
- **Internal Mechanical Brake** provides positive load control for lifting and lowering operations.
- **Ball Bearings** and self-aligning bronze bearings provide smooth and efficient operation.
- **Pressure Plate** applies pressure to drum and wire rope to help maintain uniform winding. Not available on clutch models.
- **Dual Function Cable Anchor** for quick disconnect of wire rope with swaged ball fitting, or recessed cable anchor with set screw for wire rope with unfinished end.
- **Mounting Options** include floor, wall, or ceiling.
- **Two-year Limited Warranty**
- **Cast Aluminum** construction, for lightweight strength.
- **Corrosion Resistant** durable paint finish protects against corrosion in harsh environments.

MODEL 4WP2D8-1500-40  
Shown with wire rope



Wire rope assemblies and controls sold separately

- **Large Diameter Drums** minimize wear to the wire rope and help extend its life.
- **Clutch Model** allows operator to manually disengage the drum to rapidly unwind wire rope. **Clutch models do not include pressure plates.**

### Series 4WP2D – Performance Characteristics – Section 2

When ordering, please indicate Model Number and Extensions  
Examples: 4WP2D8-800-26-A (without clutch); 4WP2DC-800-40-A (with clutch)

| model number   | model number extensions |            |             | motor hp | load rating (lb) |          |           | wire rope dia.(in) <sup>1</sup> | line speed (fpm) |           | drum capacity(ft) <sup>2</sup> approx. <sup>3</sup> |          |           |              |
|--|-------------------------|------------|-------------|----------|------------------|----------|-----------|---------------------------------|------------------|-----------|---|----------|-----------|--------------|
|  | load rating             | line speed | motor codes |          | 1st layer        | mid drum | full drum |                                 | 1st layer        | full drum | 1st layer   | mid drum | full drum | ship wt.(lb) |
| <b>High Speed Atlas winches for lifting or pulling</b> |                         |            |             |          |                  |          |           |                                 |                  |           |   |          |           |              |
| 4WP2D8   | 800                     | 26         | A,B,D,E     | 1        | 800              | 460      | 330       | 1/4                             | 26               | 65        | 19  | 130      | 280       | 100          |
| 4WP2D8   | 800                     | 40         | D,E         | 1.5      | 800              | 460      | 330       | 1/4                             | 40               | 97        | 19  | 130      | 280       | 100          |
| 4WP2D8   | 1500                    | 26         | D,E         | 2        | 1500             | 900      | 600       | 1/4                             | 26               | 65        | 19  | 130      | 280       | 100          |
| 4WP2D8   | 1500                    | 40         | B,D,E       | 3        | 1500             | 900      | 600       | 1/4                             | 40               | 97        | 19  | 130      | 280       | 100          |

#### High Speed Clutch Models for HORIZONTAL PULLING ONLY

|        |      |    |         |     |      |     |     |     |    |    |    |    |     |     |
|--------|------|----|---------|-----|------|-----|-----|-----|----|----|----|----|-----|-----|
| 4WP2DC | 800  | 26 | A,B,D,E | 1   | 800  | 460 | 330 | 1/4 | 26 | 65 | 12 | 87 | 190 | 100 |
| 4WP2DC | 800  | 40 | D,E     | 1.5 | 800  | 460 | 330 | 1/4 | 40 | 97 | 12 | 87 | 190 | 100 |
| 4WP2DC | 1500 | 26 | D,E     | 2   | 1500 | 900 | 600 | 1/4 | 26 | 65 | 12 | 87 | 190 | 100 |
| 4WP2DC | 1500 | 40 | B,D,E   | 3   | 1500 | 900 | 600 | 1/4 | 40 | 97 | 12 | 87 | 190 | 100 |

#### Motor Codes

|    |   |         |
|----|---|---------|
| A  | 115 volt                                    | 1 phase |
| B  | 230 volt                                    | 1 phase |
| D  | 230 volt                                    | 3 phase |
| E  | 460 volt                                    | 3 phase |
| F  | All other voltages – please contact factory |         |
| PN | please contact factory                      |         |

Please contact factory or nearest Thern Distributor for firm fixed price and delivery.

<sup>1</sup> Minimum wire rope diameter is 1/4 inch.

<sup>2</sup> Actual drum capacities 25-30% less, due to nonuniform winding. Wire rope tension will also affect drum capacity.

<sup>3</sup> Weight may vary with motor.



### Control Options and Accessories – Section 2

| model      | description          | 115/1/60 <sup>4</sup> | 230/1/60 | 230/3/60 | 460/3/60  |
|------------|----------------------|-----------------------|----------|----------|-----------|
| 10L2A1     | NEMA 1               | to 1.5 hp             | to 2 hp  | to 3 hp  | to 3 hp   |
| 10L7E1     | NEMA 1               | to 1.5 hp             | to 3 hp  | to 5 hp  | to 7.5 hp |
| 10L2A4     | NEMA 4 – watertight  | to 1.5 hp             | to 2 hp  | to 3 hp  | to 3 hp   |
| 10L7E4     | NEMA 4 – watertight  | to 1.5 hp             | to 3 hp  | to 5 hp  | to 7.5 hp |
| 10P1A46    | 6 ft pendant control | to 1 hp               | —        | —        | —         |
| TPL-4WP2T8 | Two Part Line Kit    | —                     | —        | —        | —         |

Please contact factory or nearest Thern Distributor for firm fixed price and delivery.

<sup>4</sup> Controls for 115V single phase motors up to 1 hp, include an 8 ft power cord with grounded plug.

■ For more information and other control options, please see pages 46-47.

■ Custom controls are available including wireless remote control, variable speed control, electronic overload, and enclosures for special environments.

See Dimensions on Next Page

# ATLAS Portable POWER WINCHES

## Options and Accessories

- **Emergency Hand Crank** for manual operation in case of power failure. Does not include handle.
- **Two Part Line Kit** to convert to double line rigging.
- **Rotary Limit Switches** for secondary shut-off to limit load travel in one or two directions. **Not available on clutch models.**
- **Special Motors and Controls** including severe duty and explosion proof.
- **Special Finishes** for hazardous environments.
- **Torque Limiters** as part of the motor controls on electric models.



### Important:

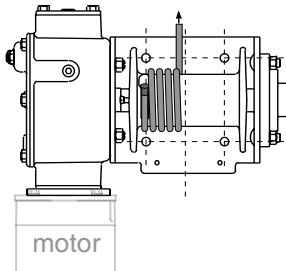
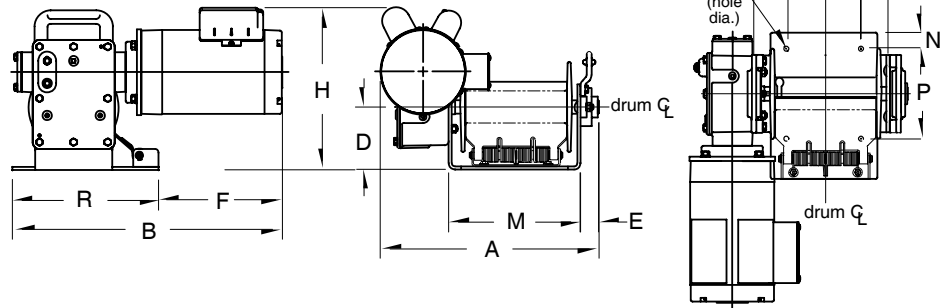
It is the owner's or operator's responsibility to determine the suitability of the equipment to its intended use. Study all applicable codes, manuals, and regulations. Be sure to read the Owner's Manual supplied with the equipment before operating it.

Side View

Rear View

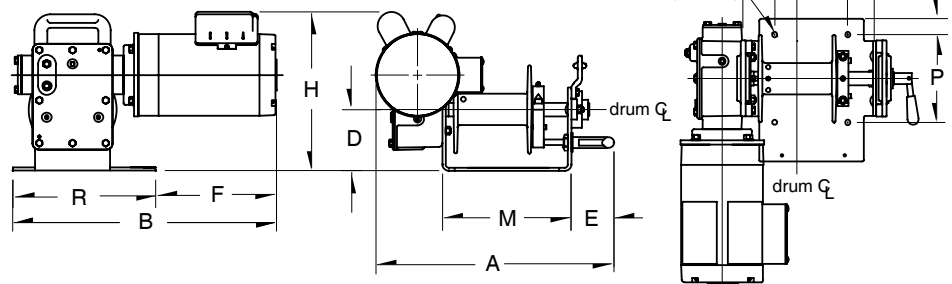
Top View

Series 4WP2D8



Install wire rope correctly as shown, or brake will not operate properly.

Series 4WP2DC



## Series 4WP2D – Dimensions (in)

| series | A <sup>1</sup> | B <sup>1</sup> | C    | D    | E    | F    | H <sup>1</sup> | J    | K    | M     | N    | P    | R     | S (hole dia.) |
|--------|----------------|----------------|------|------|------|------|----------------|------|------|-------|------|------|-------|---------------|
| 4WP2D8 | 17.50          | 21.00          | 2.75 | 5.00 | 1.50 | 9.50 | 12.75          | 2.25 | 5.81 | 10.25 | 1.25 | 7.00 | 11.50 | .41           |
| 4WP2DC | 19.00          | 21.00          | 4.00 | 5.00 | 3.50 | 9.50 | 12.75          | 2.25 | 5.81 | 10.25 | 1.25 | 7.00 | 11.50 | .41           |

Dimensions are for reference only and subject to change without notice.

<sup>1</sup> Dimensions A, B and H may vary with motor selection.

## Series 4WP2D – Drum Dimensions

| model extension | drum diameter | flange diameter | drum width | fleet angle distance <sup>2</sup> |
|-----------------|---------------|-----------------|------------|-----------------------------------|
| 4WPD8           | 2.50 in       | 7.00 in         | 8.00 in    | 13 ft                             |
| 4WPD8C          | 2.50 in       | 7.00 in         | 5.50 in    | 9 ft                              |

Dimensions are for reference only and subject to change without notice.

<sup>2</sup> Recommended minimum distance between drum and lead sheave for smooth drum.

