

SILVERLINE TSSBW Hand Winches

Load Capacity up to 1,300 lbs

Features and Benefits

- **Grade 304 Stainless Steel Construction** protects against corrosion. Suitable for use in marine environments.
- **Machine Cut Spur Gears** for accurate and smooth operation.
- **Automatic Brake** provides positive load control for lifting and lowering operations.
- **Steel Gear Cover** protects gears and helps prevent injuries.
- **Drum Clamp** provides for an easy attachment of wire rope.
- **90 Day Warranty**



Convenient drum clamp secures wire rope to drum.



Automatic brake securely holds load while lifting and lowering.



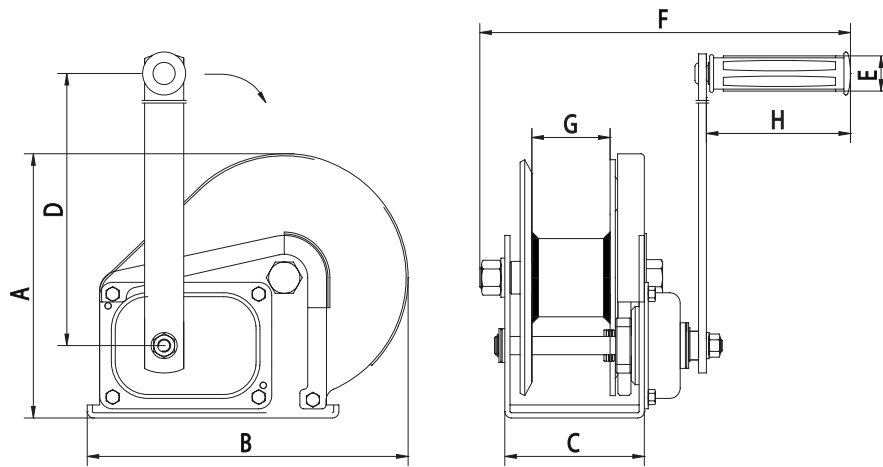
Machine cut gears provide smooth operation.

Silver Line TSSBW Series Hand Winch Performance Characteristics

Model	Description	Load Rating						Rope Dia.				Wire Rope Capacity						Handle Force*	Gear Ratio
		1st Layer		Mid Drum		Full Drum		3/16		3/16		3/16		3/16		3/16			
TSSBW600	600 lb - stainless steel hand winch with auto brake	600	273	400	182	200	91	3/16	5	3	1	35	11	78	24	23	11	4.2:1	
TSSBW900	900 lb - stainless steel hand winch with auto brake	900	409	500	227	300	137	3/16	5	5	2	73	23	160	49	23	11	5.0:1	
TSSBW1300	1300 lb - stainless steel hand winch with auto brake	1,320	599	900	409	600	273	1/4	7	5	2	37	12	83	26	26	12	10.0:1	

*Approximate force required to move the rated capacity.

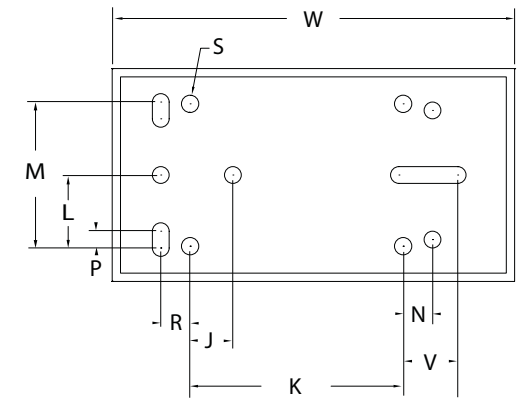
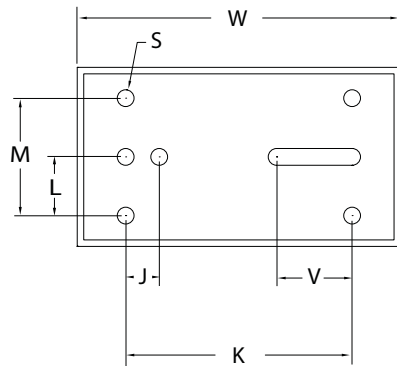
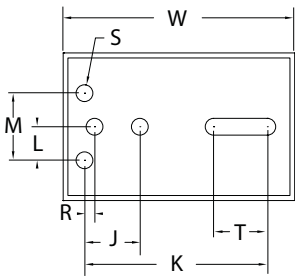
Thern products are not for lifting people or things over people.



Base for TSSBW600

Base for TSSBW900

Base for TSSBW1300



Silver Line TSSBW Series Hand Winch Dimensions

Model	A		B		C		D		E		F		G		H		J		K	
	(in)	(mm)	(in)	(mm)	(in)	(mm)	(in)	(mm)	(in)	(mm)	(in)	(mm)	(in)	(mm)	(in)	(mm)	(in)	(mm)	(in)	(mm)
TSSBW600	6.13	156	7.22	184	3.48	89	8.34	212	1.03	27	9.81	250	1.97	51	4.30	110	1.30	33	4.30	109
TSSBW900	9.73	248	9.71	247	4.21	107	12.59	320	1.01	26	11.00	280	2.35	60	4.29	109	.79	20	5.32	135
TSSBW1300	8.44	215	11.55	294	5.00	127	12.54	319	1.08	28	11.62	296	2.44	62	4.20	107	1.00	26	5.02	128

Silver Line TSSBW Series Hand Winch Dimensions

Model	L		M		N		P		R		S (hole dia)		T		V		W		Weight	
	(in)	(mm)	(in)	(mm)	(in)	(mm)	(in)	(mm)	(in)	(mm)	(in)	(mm)	(in)	(mm)	(in)	(mm)	(in)	(mm)	(lb)	(kg)
TSSBW600	.79	20	1.58	40	-	-	-	-	.24	7	.44	11	1.26	32	-	-	5.43	138	9	5
TSSBW900	1.38	35	2.76	70	-	-	-	-	-	-	.40	10	-	-	1.76	45	7.61	194	18	9
TSSBW1300	1.74	44	3.47	88	.70	18	.44	11	.70	18	.40	10	-	-	1.26	33	9.48	241	22	10

IMPORTANT:

It is the owner or operator's responsibility to determine the suitability of the equipment to its intended use. Study all applicable codes, manuals and regulations. Be sure to read the Owner's Manual supplied with the equipment before operating it.

Thern products are not for lifting people or things over people.



www.thern.com

1.800.843.7648