

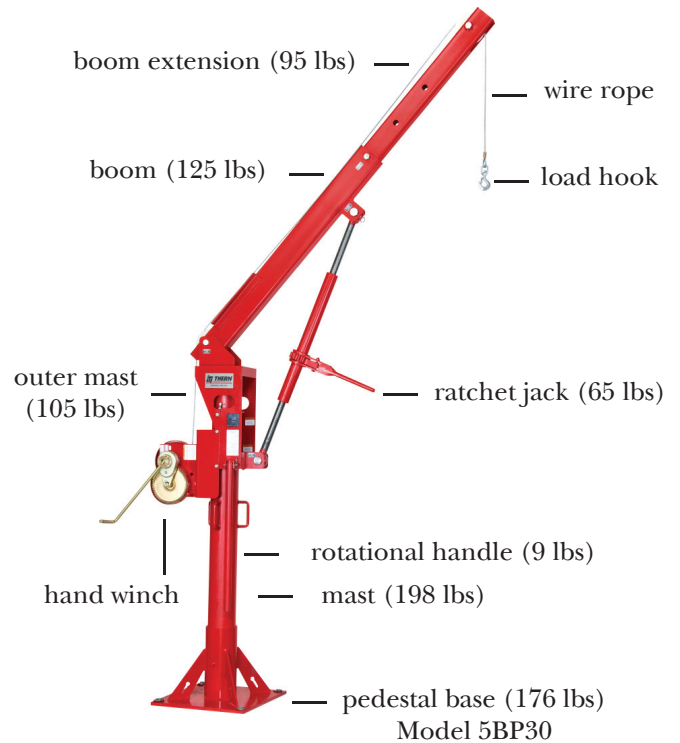
Series 5PT30 Davit Crane

Load Capacity up to 3,000 lbs

Features and Benefits

- **Hand Winch Operated Models** include spur gear hand winch with brake for load control.
- **Power Winch Operated Models** includes 115 volt, single phase AC electric winch with pendant control and brake. Other voltages and phases, 12 volt DC, pneumatic, and hydraulic options available, contact factory.
- **Adjustable Boom Telescopes** to 5 different lengths to adjust height and reach.
- **Adjustable Boom Angle** option allows for 50° of movement between boom position "A" and "C" with hand operated ratchet style screw-jack to adjust height and reach. (A)
- **Boom Brace** option securely holds boom in fixed position during operation. Fixed at position "B".
- **Boom and Outer Mast Rotates** on tapered roller bearings and needle bearings for smooth 360° load movement. (B) Outer mast locks in one of six positions (at 30° increments) with locking pin. (C) Handle on the outer mast makes rotation easy.
- **Crane Breaks Down** for storage or transport.
- **2-Year Limited Warranty.**

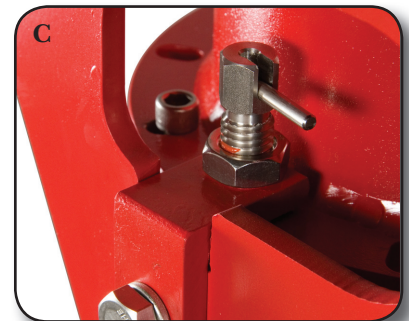
Model 5PT30J-M1 with Ratchet Style Screw-Jack



A Ratchet jack replaces fixed boom brace to allow for boom angle adjustment.



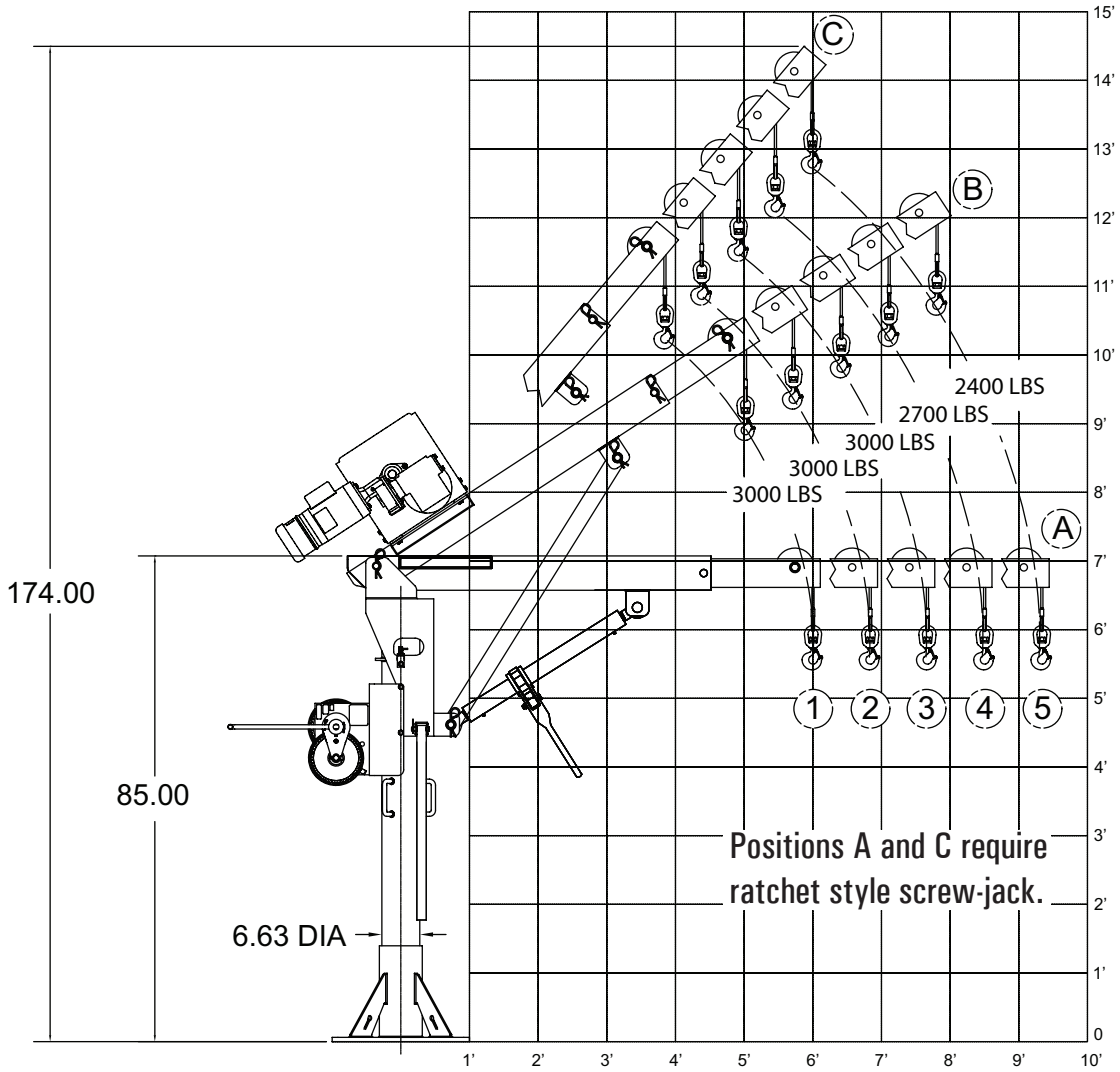
B Roller bearings make mast rotation easy and smooth.



C Locking pin on outer mast fits into slots securing crane after rotation.

Thern products are not for lifting people or things over people.

Series 5PT30 with Pedestal Base

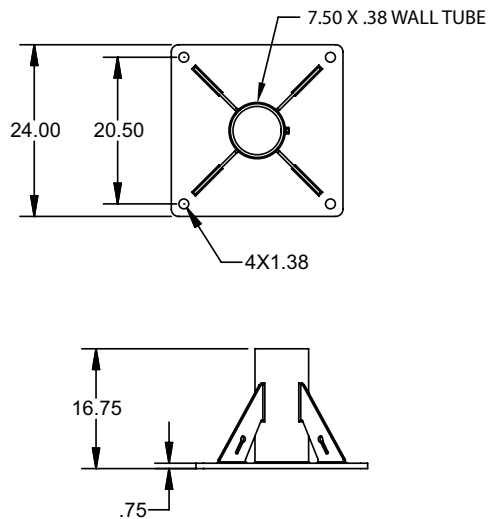


Series 5PT30 Pedestal Base Hook Height and Reach

Boom Position	Hook Reach		Hook Height	
	(in)	(mm)	(in)	(mm)
A-1*	72.00	1829	66.00	1677
A-2*	82.00	2083	66.00	1677
A-3*	92.00	2337	66.00	1677
A-4*	102.00	2591	66.00	1677
A-5*	112.00	2845	66.00	1677
B-1 (fixed)	60.00	1524	106.00	2693
B-2 (fixed)	69.00	1753	112.00	2845
B-3 (fixed)	77.00	1956	117.00	2972
B-4 (fixed)	85.00	2159	123.00	3125
B-5 (fixed)	94.00	2388	128.00	3252
C-1*	46.00	1169	122.00	3099
C-2*	53.00	1347	130.00	3302
C-3*	59.00	1499	137.00	3480
C-4*	66.00	1677	145.00	3683
C-5*	72.00	1829	153.00	3887

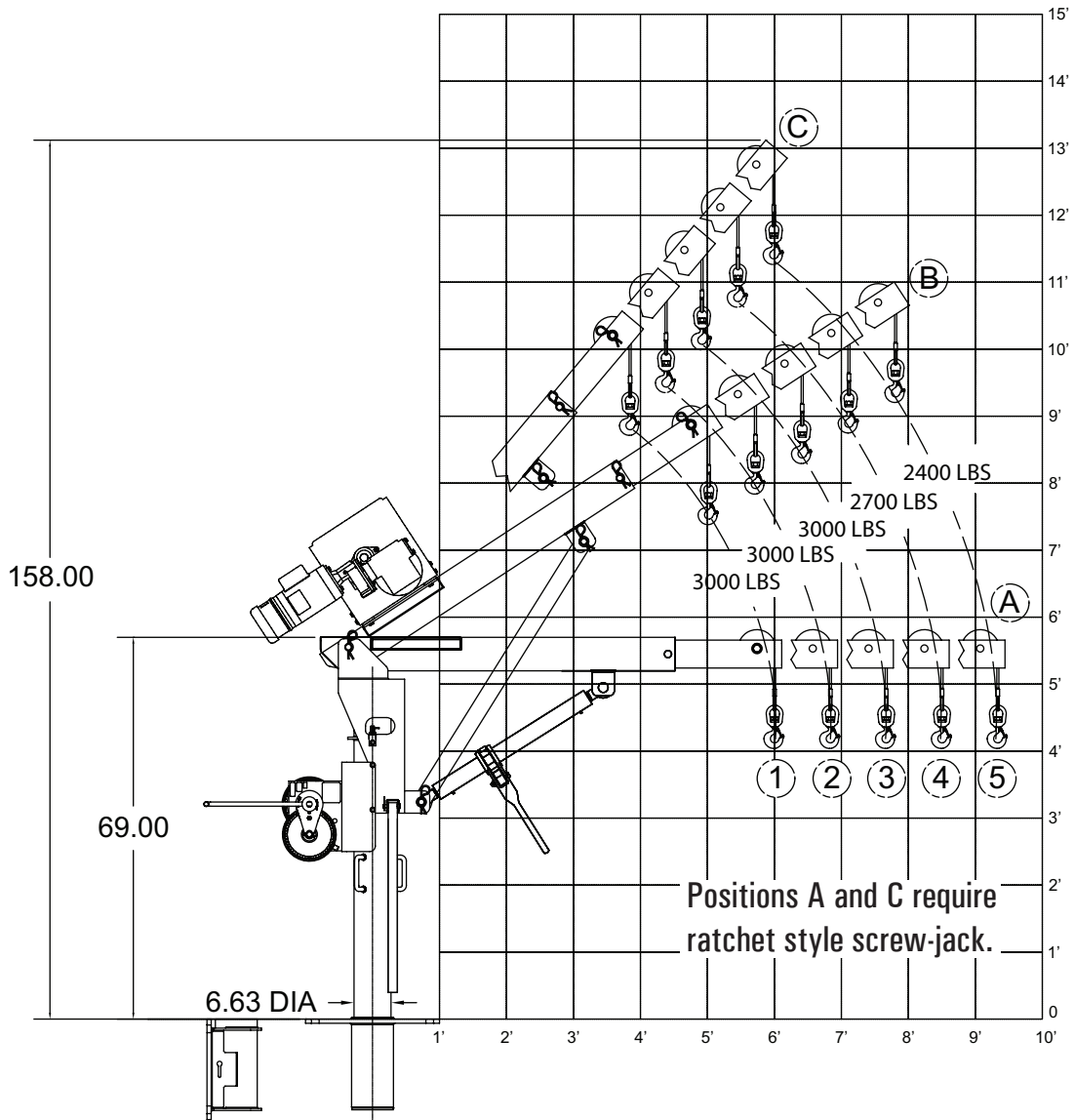
* Boom position requires purchasing the screw-jack.
 Dimensions are for reference only and subject to change without notice.

Pedestal Base



Thern products are not for lifting people or things over people.

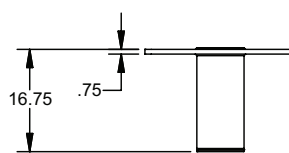
Series 5PT30 with Socket or Wall Mount Base



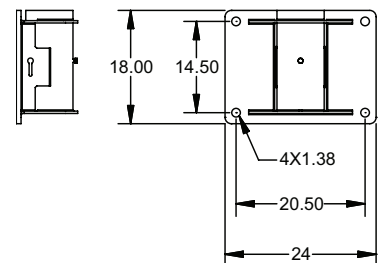
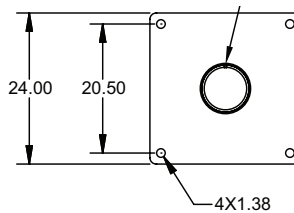
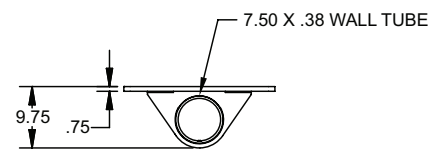
Series 5PT30 Socket/Wall Base Hook Height and Reach

Boom Position	Hook Reach		Hook Height	
	(in)	(mm)	(in)	(mm)
A-1*	72.00	1829	50.00	1270
A-2*	82.00	2083	50.00	1270
A-3*	92.00	2337	50.00	1270
A-4*	102.00	2591	50.00	1270
A-5*	112.00	2845	50.00	1270
B-1 (fixed)	60.00	1524	90.00	2286
B-2 (fixed)	69.00	1753	96.00	2439
B-3 (fixed)	77.00	1956	101.00	2566
B-4 (fixed)	85.00	2159	107.00	2718
B-5 (fixed)	94.00	2388	112.00	2845
C-1*	46.00	1169	106.00	2693
C-2*	53.00	1347	114.00	2896
C-3*	59.00	1499	121.00	3074
C-4*	66.00	1677	129.00	3277
C-5*	72.00	1829	137.00	3480

Socket Base



Wall Base



* Boom position requires purchasing the screw-jack.
Dimensions are for reference only and subject to change without notice.

Thern products are not for lifting people or things over people.

Series 5PT30 Crane Configurations

Description		Weight
Model		(lb) (kg)
5PT30	up to 3000 lbs - red enamel finish - boom brace - no winch	563 256
5PT30J	up to 3000 lbs - red enamel finish - adjustable ratchet-jack - no winch	628 285
G	galvanized finish - on crane and ratchet-jack	- -
X	epoxy finish - on crane and ratchet-jack	- -
M1	M452B-K spur gear hand winch - enamel finish	78 36
M1X	M452BEGRA-K spur gear hand winch - epoxy finish	78 36
E5A1	4WS3M6-K1A1 electric winch – 115 VAC, 1 phase with 6 ft pendant control - enamel finish	300 137
E5XA1	4WS3M6-K1XA1 electric winch – 115 VAC, 1 phase with 6 ft pendant control - enamel finish	300 137

Please contact factory or nearest Thern Distributor for firm fixed price and delivery.

Series 5PT30 Bases

Description	Weight
Model	(lg) (kg)
5BP30	pedestal base (upright mount) - red enamel finish
5BP30G	pedestal base (upright mount) - galvanized finish
5BP30X	pedestal base (upright mount) - epoxy finish
5BF30	socket base (flush mount) - red enamel finish
5BF30G	socket base (flush mount) - galvanized finish
5BF30X	socket base (flush mount) - epoxy finish
5BW30	wall mount base - red enamel finish
5BW30G	wall mount base - galvanized finish
5BW30X	wall mount base - epoxy finish

Please contact factory or nearest Thern Distributor for firm fixed price and delivery.

Series 5PT30 Wire Rope

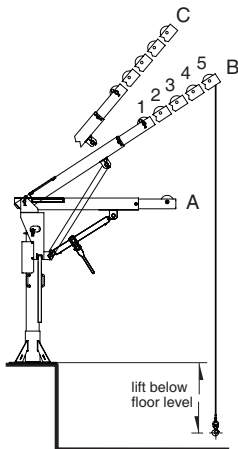
Description	Weight
Model	(lb) (kg)
WA38-28DS	3/8 inch x 28 ft – galvanized aircraft cable with swivel hook and unfinished end
WA38-36DS	3/8 inch x 36 ft – galvanized aircraft cable with swivel hook and unfinished end
WA38-45DS	3/8 inch x 45 ft – galvanized aircraft cable with swivel hook and unfinished end
WA38-60DS	3/8 inch x 60 ft – galvanized aircraft cable with swivel hook and unfinished end
WA38-75DS	3/8 inch x 75 ft – galvanized aircraft cable with swivel hook and unfinished end
WS38-28DS	3/8 inch x 28 ft – 304 stainless steel wire rope with swivel hook and unfinished end
WS38-36DS	3/8 inch x 36 ft – 304 stainless steel wire rope with swivel hook and unfinished end
WS38-45DS	3/8 inch x 45 ft – 304 stainless steel wire rope with swivel hook and unfinished end
WS38-60DS	3/8 inch x 60 ft – 304 stainless steel wire rope with swivel hook and unfinished end
WS38-75DS	3/8 inch x 75 ft – 304 stainless steel wire rope with swivel hook and unfinished end

Please contact factory or nearest Thern Distributor for firm fixed price and delivery.

Series 5PT30 Crane Performance Characteristics

Wire Rope		Load Rating 5PT30M1 and M1X					Load Rating 5PT30-E5A1** and E5XA1					Lift Below Floor Level*	
Rope Length	Rope Diameter	Position 1	Position 2	Position 3	Position 4	Position 5	Position 1	Position 2	Position 3	Position 4	Position 5	Min Below	Max Below
(ft) (m)	(in) (mm)	(lb) (kg)	(lb) (kg)	(lb) (kg)	(lb) (kg)	(lb) (kg)	(lb) (kg)	(lb) (kg)	(lb) (kg)	(lb) (kg)	(lb) (kg)	(ft) (m)	(ft) (m)
28 9	0.38 10	3,000 1,361	3,000 1,361	3,000 1,361	2,700 1,225	2,400 1,089	3,000 1,361	3,000 1,361	3,000 1,361	2,700 1,225	2,400 1,089	0 0	8 3
36 11	0.38 10	3,000 1,361	3,000 1,361	3,000 1,361	2,700 1,225	2,400 1,089	3,000 1,361	3,000 1,361	3,000 1,361	2,700 1,225	2,400 1,089	8 3	16 5
45 14	0.38 10	3,000 1,361	3,000 1,361	3,000 1,361	2,700 1,225	2,400 1,089	3,000 1,361	3,000 1,361	3,000 1,361	2,700 1,225	2,400 1,089	17 6	25 8
60 19	0.38 10	2,800 1,271	2,800 1,271	2,800 1,271	2,700 1,225	2,400 1,089	3,000 1,361	3,000 1,361	3,000 1,361	2,700 1,225	2,400 1,089	32 10	40 13
75 23	0.38 10	2,600 1,180	2,600 1,180	2,600 1,180	2,400 1,225	2,400 1,089	2,700 1,225	2,700 1,225	2,700 1,225	2,700 1,225	2,400 1,089	47 15	55 17

* Lift below floor level varies depending on boom position and winch configuration. For longer lifts contact factory. ** Add 3 ft to lift below floor level for Model 5PT30-E5A1.



IMPORTANT:

It is the owner or operator's responsibility to determine the suitability of the equipment to its intended use. Study all applicable codes, manuals and regulations. Be sure to read the Owner's Manual supplied with the equipment before operating it.

Thern products are not for lifting people or things over people.