



PORTABLE HITCH-MOUNTED CRANE BASE
WORKMATE



MADE IN USA 

Thern, Incorporated

World Headquarters
5712 Industrial Park Road Winona, MN USA
Toll Free: 1-800-843-7648
Phone: 1-507-454-2996
www.thern.com

Thern Europe

Bedrijvenpark Twente 454e
7602 KM Almelo The Netherlands
Phone: +31-546-898-380
europe@thern.com



thern.com
(507) 454-2996

WORKMATE®

PORTABLE HITCH-MOUNTED CRANE BASE



A Crane Base For Flexible Lifting Anywhere You Work

The Thern WorkMate 5BH5 portable hitch-mounted crane base delivers rugged and dependable lifting power to your job site. The easy to assemble base provides flexible deployment of your Thern davit crane with lifting capacity up to 850 pounds. Position your work vehicle, deploy the WorkMate, and begin lifting or pulling, knowing your crane is well secured. If your projects demand access to remote sites or the ability to lift objects from a truck bed, the WorkMate crane base provides you the ability to lift, lower, pull and position your load with confidence.

Designed with Flexibility in Mind

- Fast, Toolless Assembly
- Straight or Right-Angle Mounting From Vehicle Hitch
- Compatible with Multiple Thern Cranes
- Rotation Stop Limits Load Travel When Desired
- Deployable on Any Terrain
- Compatible with Standard 2-Inch Receiver
- Two-Year Warranty

Easy-Carry Handle

- Portability made easy with centrally located carry handle
- Allows for simple transport and positioning of base during set up

T-Hitch Pulley

- Provides ability for mounted crane and winch to be used in a pulling application at the worksite

Rotation Stop

- Limits crane and load movement when desired
- Comes standard with Thern WorkMate to provide load control at the worksite

Telescoping Legs with Pivoting Feet

- Pivoting feet provide stable ground contact for a wide range of worksite ground surfaces
- Adjustable for wide range of hitch receiver heights, accommodating most vehicles




Simple Set Up

- Crane base is easily assembled from three parts, requiring no tools for set up
 - Crane Base and Support Legs
 - T-Hitch
 - Leveling Jack
- Assembly requires no tools or extra equipment
- When deployed directly behind vehicle, T-hitch and leveling jack are not used

Leveling Floor Jack

- Provides additional support and the ability to compensate for uneven ground at work site
- Adjustable height ensures unit is compatible with multiple receiver heights

COMPATIBLE THERN CRANES

Series	MAX CAPACITY	HOOK REACH	HOOK HEIGHT
5PF5 FIRST MATE® 	850 lbs/ 385 kg	UP TO 42 INCHES	UP TO 62 INCHES
5PT5 COMMANDER® 	650 lbs/ 294 kg	UP TO 66 INCHES	UP TO 77 INCHES
5PA5 ENSIGN® 	500 lbs/ 226 kg	UP TO 36 INCHES	UP TO 93 INCHES


Set Up Positions

Directly Behind Vehicle

Set up directly behind vehicle, using single Crane Base part

Right Angle from Vehicle Hitch

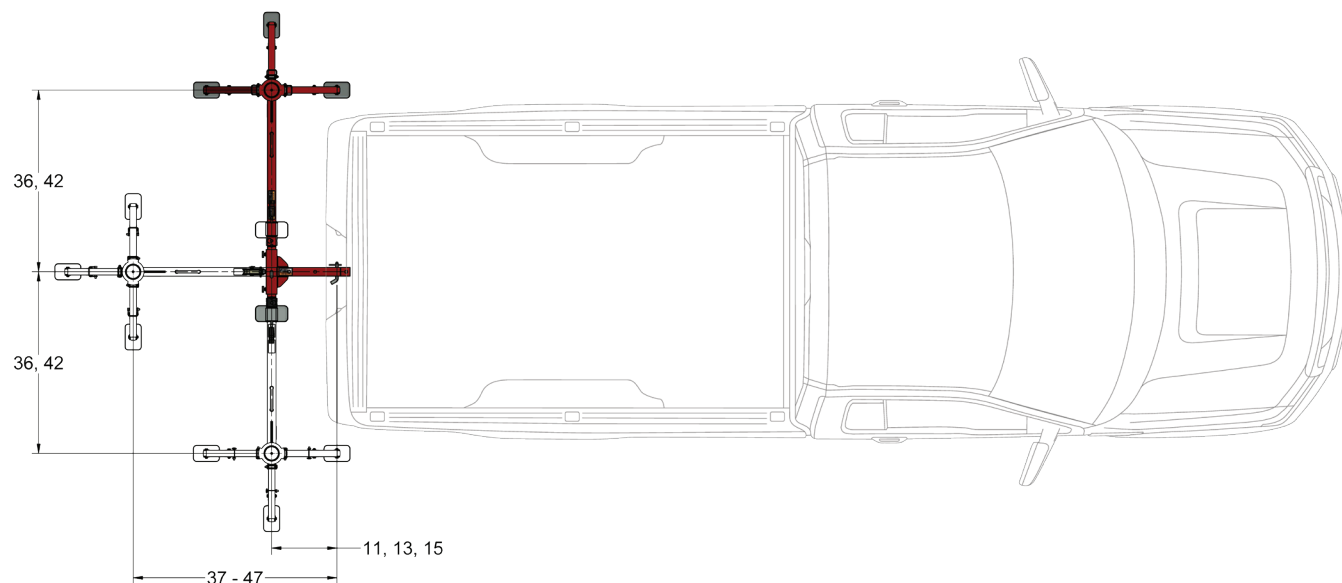
Set up to the left or right of vehicle hitch, using Crane Base, T-Hitch and Leveling Floor Jack parts

 NOTICE: These products are not for lifting people or things over people.

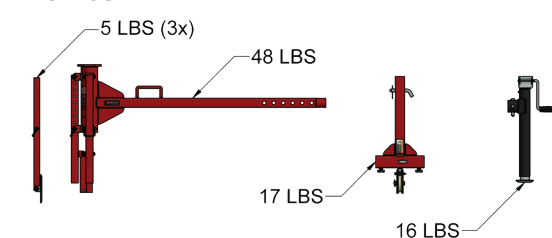
CSCS-0820

MODEL 5BH5 WORKMATE

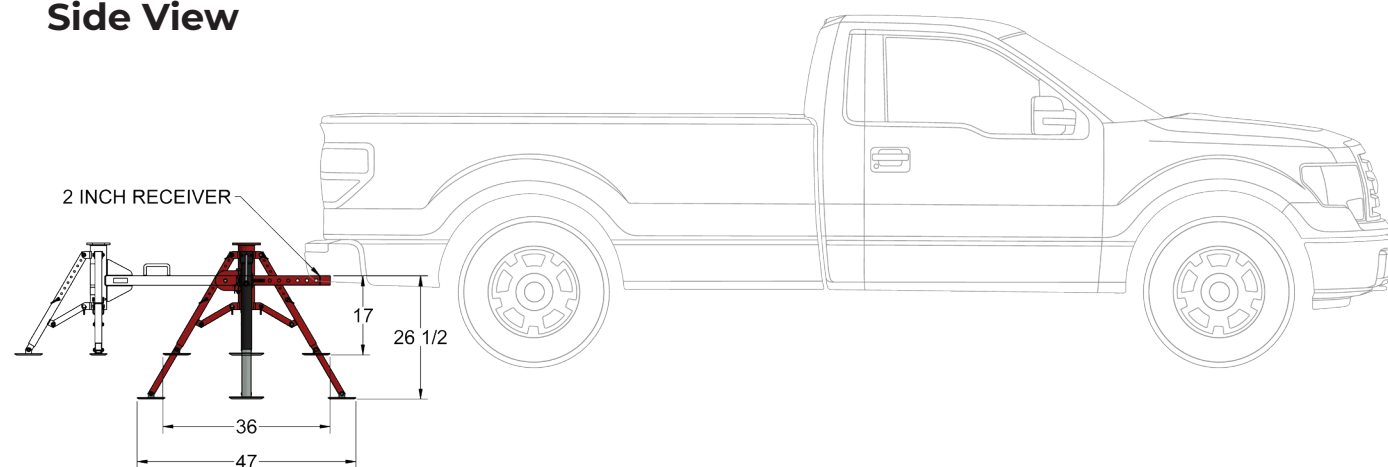
Plan View



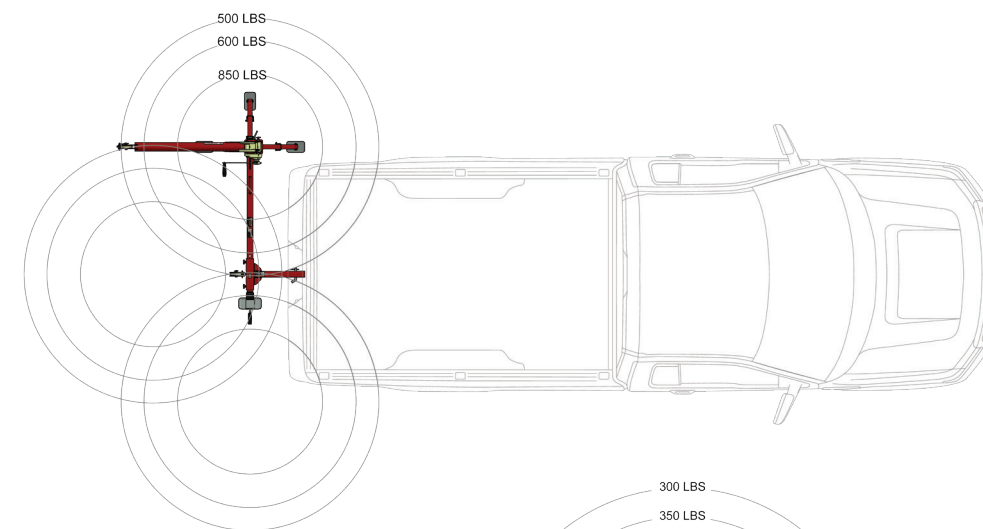
Parts



Side View

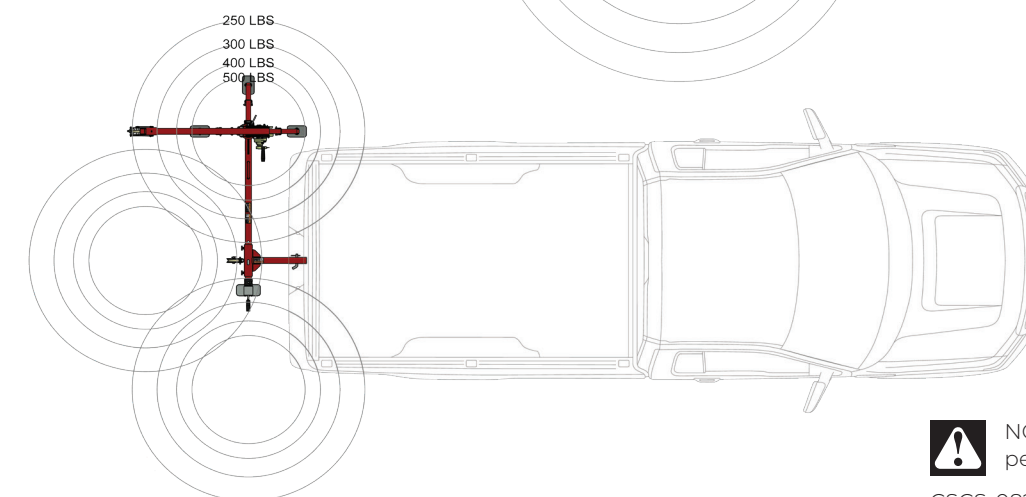
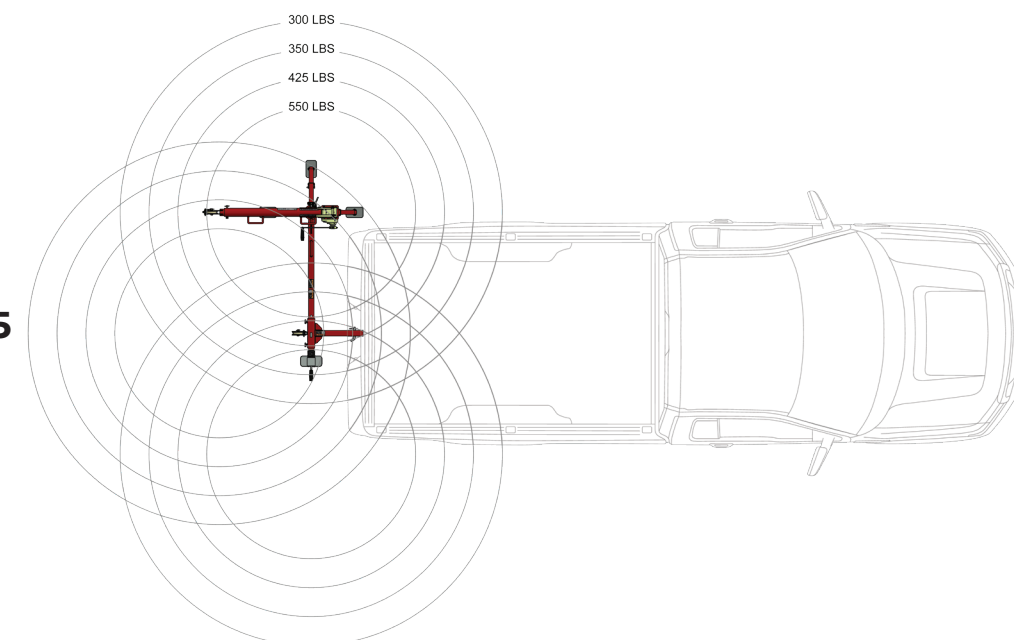


MODEL 5BH5 WORKMATE




**5BH5 With 5PF5
Load Rating**

**5BH5 With 5PT5
Load Rating**



**5BH5 With 5PA5
Load Rating**

 NOTICE: These products are not for lifting people or things over people.

CSCS-0820

POPULAR CONFIGURATIONS

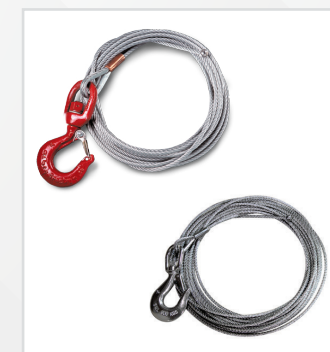


POPULAR CRANE AND WINCH CONFIGURATIONS*

*All listed configurations compatible with 5BH5 WorkMate. Model number does NOT include 5BH5 WorkMate. Shipping weight does NOT include the 5BH5 WorkMate.

Model	Description	Approx. Ship Wt.	
		(lb)	(kg)
5PF5 First Mate Popular Configurations			
5PF5-M1	up to 850 lb capacity with M4022PB-K spur gear hand winch—powder-coat crane	76	34
5PF5G-M1	up to 850 lb capacity with M4022PB-K spur gear hand winch—galvanized crane	76	34
5PF5-M2	up to 850 lb capacity with 4WM2-K worm gear hand winch—powder-coat crane	101	46
5PF5G-M2	up to 850 lb capacity with 4WM2-K worm gear hand winch—galvanized crane	101	46
5PF5S-M3	up to 850 lb capacity with M4042PBSS-K spur gear hand winch—stainless-steel crane	83	38
5PF5-E2	up to 850 lb capacity with 4WP2-K electric winch—powder-coat crane	144	65
5PT5 Commander Popular Configurations			
5PT5-M1	up to 650 lb capacity with M4022PB-K spur gear hand winch—powder-coat crane	102	46
5PT5G-M1	up to 650 lb capacity with M4022PB-K spur gear hand winch—galvanized crane	102	46
5PT5-M2	up to 650 lb capacity with 4WM2-K worm gear hand winch—powder-coat crane	123	56
5PT5G-M2	up to 650 lb capacity with 4WM2-K worm gear hand winch—galvanized crane	123	56
5PT5S-M3	up to 650 lb capacity with M4042PBSS-K spur gear hand winch—stainless-steel crane	110	50
5PT5-E2	up to 650 lb capacity with 4WP2-K electric winch—powder-coat crane	158	72
5PA5 Ensign Popular Configurations			
5PA5-M1	up to 500 lb capacity with M4022PB-K spur gear hand winch—powder-coat crane	82	37
5PA5G-M1	up to 500 lb capacity with M4022PB-K spur gear hand winch—galvanized crane	82	37
5PA5-M2	up to 500 lb capacity with 4WM2V-K worm gear hand winch—powder-coat crane	107	49
5PA5G-M2	up to 500 lb capacity with 4WM2V-K worm gear hand winch—galvanized crane	107	49
5PA5S-M3	up to 500 lb capacity with M4042PBSS-K spur gear hand winch—stainless-steel crane	89	40
5PA5-E2	up to 500 lb capacity with 4WP2V-K electric winch—powder-coat crane	150	68

POPULAR CRANE AND WINCH ACCESSORIES



Drill Drive Kit	
Model	Description
ED330-DW11	120 VAC, 11-amp, 330 rpm drill motor to power drive the hand winch. Includes 1-1/8" hex drive socket
ED300-DW06	Cordless drill kit, 60 V brushless motor, 300 rpm drill motor. Includes 1-1/8" hex drive socket
ED400-DW09	Heavy-duty cordless drill kit, 60 V brushless motor, 400 rpm drill motor. Includes 1-1/8" hex drive socket

Headache Ball	
Model	Description
HB10-12-25	Red enamel painted 10 lb fits 1/8" to 1/4" rope
HB10-25-38	Red enamel painted 10 lb fits 1/4" to 3/8" rope
HB10S-12-25	Stainless-steel 10 lb fits 1/8" to 1/4" rope
HB10S-25-38	Stainless-steel 10 lb fits 1/4" to 3/8" rope
HB10S-44-50	Stainless-steel 10 lb fits 7/16" to 1/2" rope

Wire Rope Assemblies					
Wire Rope Length		Galvanized Aircraft Cable		304 Stainless Steel Wire Rope	
		3/16" Dia. (4.8 mm)	1/4" Dia. (6.4 mm)	3/16" Dia. (4.8 mm)	1/4" Dia. (6.4 mm)
(ft)	(m)	Model No.	Model No.	Model No.	Model No.
20	6.0	WA19-20NS	WA25-20NS	WS19-20NS	WS25-20NS
28	8.5	WA19-28NS	WA25-28NS	WS19-28NS	WS25-28NS
36	10.9	WA19-36NS	WA25-36NS	WS19-36NS	WS25-36NS
45	13.7	WA19-45NS	WA25-45NS	WS19-45NS	WS25-45NS
60	18.2	WA19-60NS	WA25-60NS	WS19-60NS	WS25-60NS
75	22.8	WA19-75NS	WA25-75NS	WS19-75NS	WS25-75NS
90	27.4	WA19-90NS		WS19-90NS	

NOTICE: These products are not for lifting people or things over people.

CSCS-0820